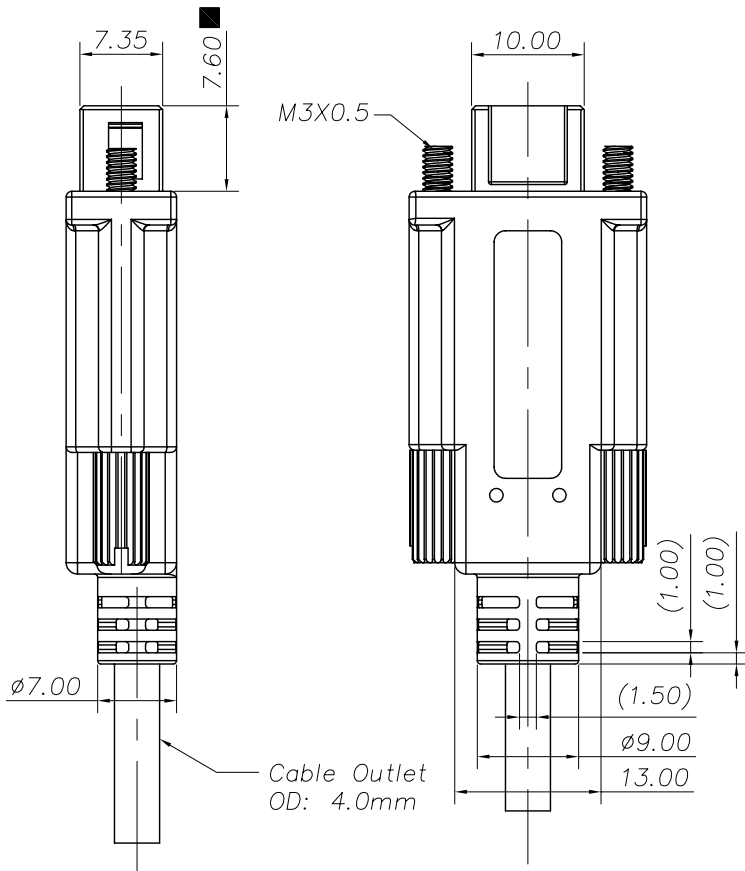
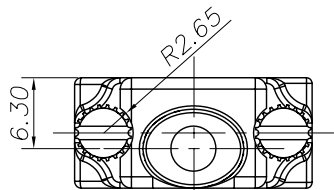
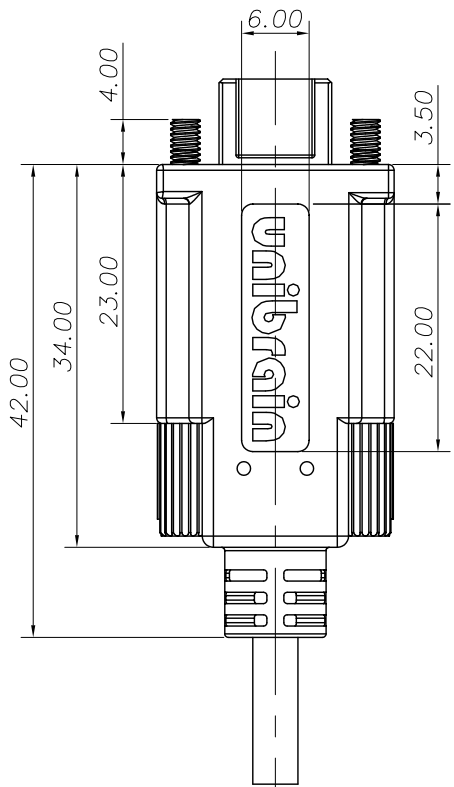
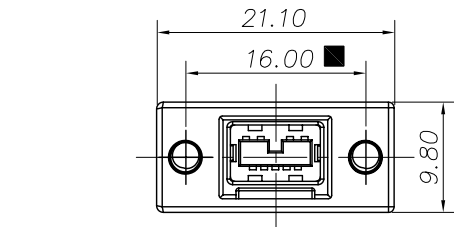


APPROVAL

RoHS

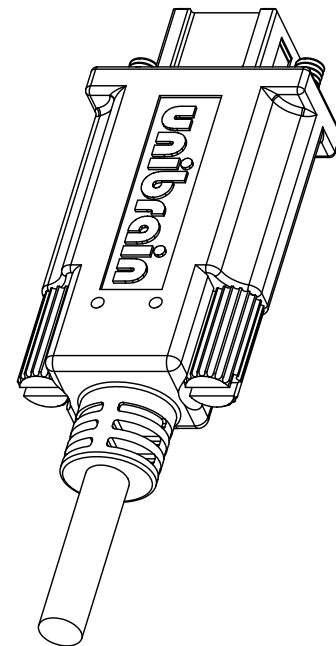
REV.	DESCRIPTION	BY/DATE	CHECK/DATE	APPROVED/DATE
1.0	D2307	Lemon Apr,22,10		



Notes:

- 1) Material : PVC
- 2) QC Dimension Check

- Critical
- ⊠ Major
- Minor



General Tolerance	Angle Tolerance	Dwg	Date	unibrain [®]
.X ±0.25	.X° ±1.0°	Lemon Apr,22,10	Lemon Apr,22,10	
.XX ±0.20	.XX° ±0.5°	Design	Date	Item
.XXX ±0.10	.XXX° ±0.2°	Lemon Apr,22,10	Lemon Apr,22,10	CMS-1394b14 Overmold Cable Outlet 4.0mm
SHEET 1/1		CHK	Date	Dwg. No. A05974
FINISH See Notes		APPR	Date	Part No. CMS-1394b14
Scale 2:1	Unit: mm			SIZE A4
				REV 1.0