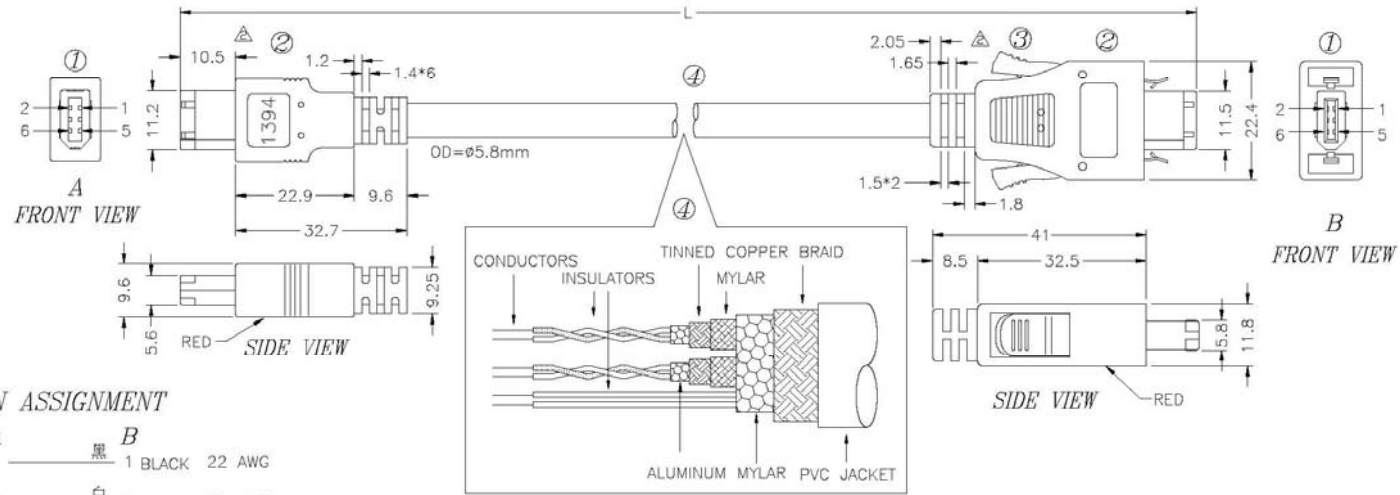


ITEM	MODIFIED DESCRIPTIONS	REV.	SIGN	DATE
⚠	增加尺寸	2.0	Rudy	AUG. 30 05'
⚠	增加細部尺寸	3.0	Rudy	NOV. 07 05'
⚠				



PIN ASSIGNMENT

A	黑	B		
1	1 BLACK	22 AWG		
2	2 WHITE	22 AWG		
2	INNER BRAID	2	內層編織網	
3	5 ORANGE	28 AWG		
4	6 BLUE	28 AWG		
5	3 RED	28 AWG		
6	4 GREEN	28 AWG		

SHELL ———— SHELL

④	UL-20276 CABLE, 28 AWG 2 PAIR + 22 AWG 2 CONDUCTORS, DOUBLE SHIELDED, JACKET IVORY	1
③	PVC JACKET SPRING LATCH	2
②	PVC MOLDING HOUSING	2
①	IEEE 1394 CONNECTOR, 6 PIN MALE	2
ITEM	DESCRIPTIONS	Q'TY

- ⚠ F13488-1000-I1 L=10000±200
- ⚠ F13488-0450-I1 L=4500±80
- F13488-0070-I1 L=700±40
- F13488-0040-I1 L=400±20

unibrain
The 1394 Innovators

4.5m / 10m latch cable (part #: 1628 / 1638)