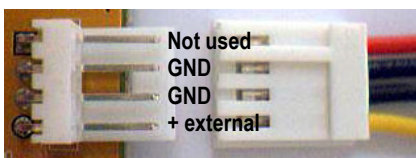


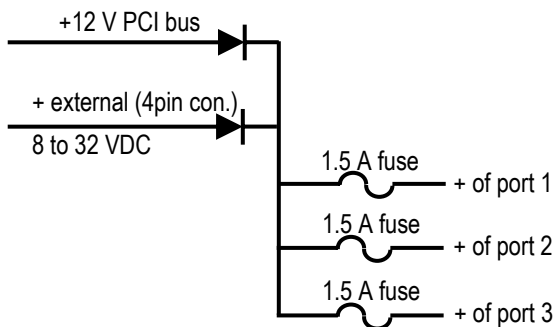
4 wires power cable accessory for Unibrain FireBoard™ adapters

... increases significantly the power available on your FireWire cables

- Applies to FireBoard400™ (Lynx), FireBoardRed™, FireBoardBlue™, and FireBoard800™
- These PCI adapters provide by default +12VDC power to the connected FireWire cables, sourced by the PCI bus, with a maximum limit of 250 mA / 3Watt.
- With the 4 wires power cable accessory, the FireWire cable is powered directly by the computer power supply, and the limit is extended to 750 mA / 9 Watt for FireBoard800™, and to 2400 mA / 28.8 Watt for FireBoard400™ (Lynx), FireBoardRed™, FireBoardBlue™.
- Mounting instructions:
 Plug carefully the small connector of the cable to the internal socket of the FireBoard™;
 There is no need for any jumper removal or reallocation;
 Attach the big male connector of the cable to the power supply of your computer;
 If the power supply has no spare connector left, disconnect the power of one hard disk, plug it to the big male connector of the cable, and reconnect the hard disk with the big female connector.
- Note : the 4 wires power cable accessory can also be connected to any other power supply voltage compatible with the 1394a power voltage range. (8 to 32 VDC). **For FireBoardRed™, the full range 8 to 32 VDC is acceptable. For FireBoardBlue™ and FireBoard400™ Lynx, the minimum external voltage is the 12V of the computer power supply, max is 32 VDC.**
- External power connection pin-out (4 pin connector): (all Unibrain FireBoard™ adapters)

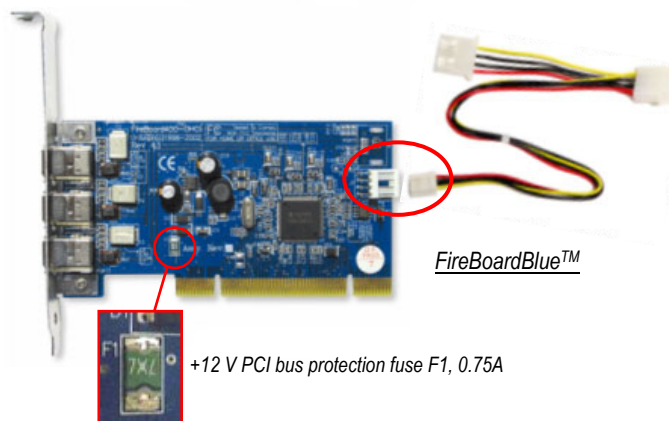
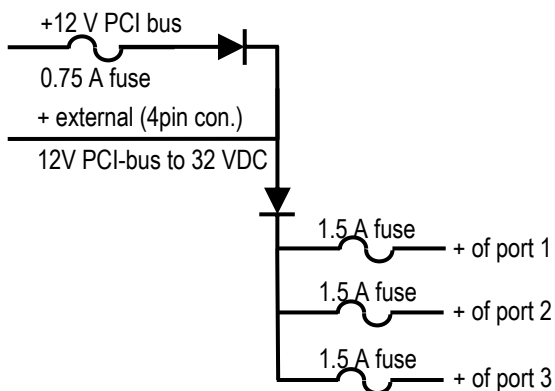


• FireBoardRed™



FireBoardRed™

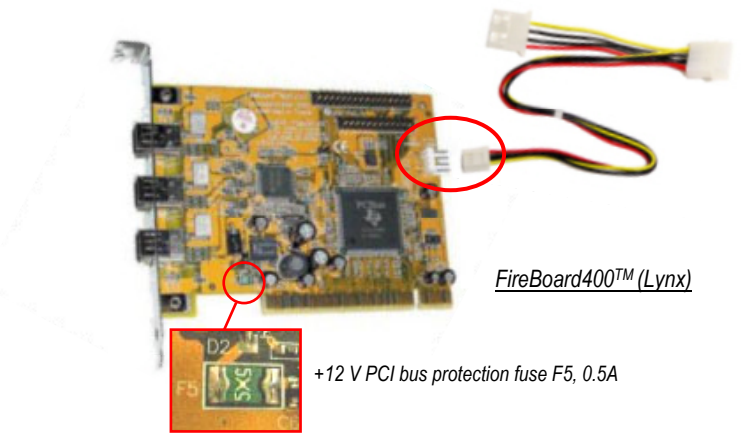
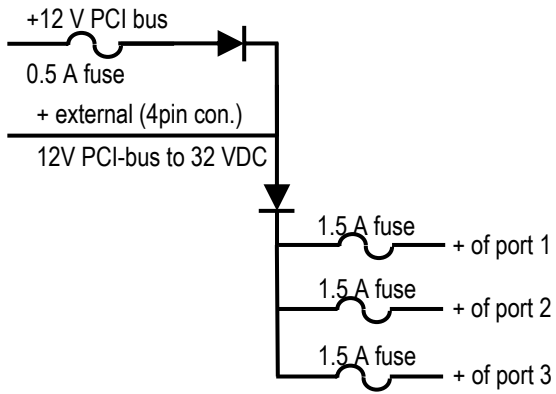
• FireBoardBlue™



+12 V PCI bus protection fuse F1, 0.75A

FireBoardBlue™

- *FireBoard400™ (Lynx)*



- *FireBoard800™*

