

Unibrain Fire-i 501

- IEEE-1394, IIDC 1.31 compliant camera
- Progressive Scan CCD
- C-mount lens - focus adjustment ring
- External trigger and partial scan support
- Multi camera auto synchronization
- High frame rate (86 fps at Format-7 mode 0)



Overview

The new Fire-i industrial camera series from Unibrain, are IEEE-1394 and IIDC 1.3x compliant progressive area scan Color CCD cameras, designed for industrial imaging applications.

The cameras use IEEE-1394a digital bus protocol and external trigger to streamline the capture, digitization and processing of color video signal. The cameras are designed to simplify real-time uncompressed color video streaming, digital still image acquisition while maintaining high resolution in various applications.

The cameras are equipped with a C- Type Lens Mount for flexible use of Industrial C-Mount Lenses.

Features

CCD sensor

- 1/3 inch Wfine color CCD for Fire-i 501c
- 1/3 inch Wfine b/w CCD for Fire-i 501b

Max Frame Rate

- 86 fps at 640 x 480, Format-7 mode 0

Software support

- Unibrain Fire-i software & drivers
- Embedded camera license for Unibrain drivers/SDK
- Unibrain Fire-i API™ Vision/Imaging development kit

Applications

Machine Vision

ITS

Robotic control

RFID

Microscopy & Inspection

Navigation & GPS mapping

Barcode, OCR, OCV

Other Features

- Low Smear and excellent anti-blooming
- External Trigger mode 0~5, 14
- Hardware YUV color conversion & auto white balance (for color models)
- Auto Exposure, Auto Shutter, Brightness, Sharpness
- Low power consumption 3.4W max (8-30 VDC)
- Rugged black metallic housing
- C-mount lens attachment ring
- Tripod adapter support on both bottom and top sides

North & South America: Unibrain, Inc.

2420 Camino Ramon, Suite 121

San Ramon, California 94583, USA.

Phone: +1-925-8663000, Fax: +1-925-8663520

Europe, Asia: Unibrain S.A.

19.5 km Markopoulou Ave.,

19002 Peania, Athens, Greece.

Phone: +30-210-6640600, Fax: +30-210-6646508

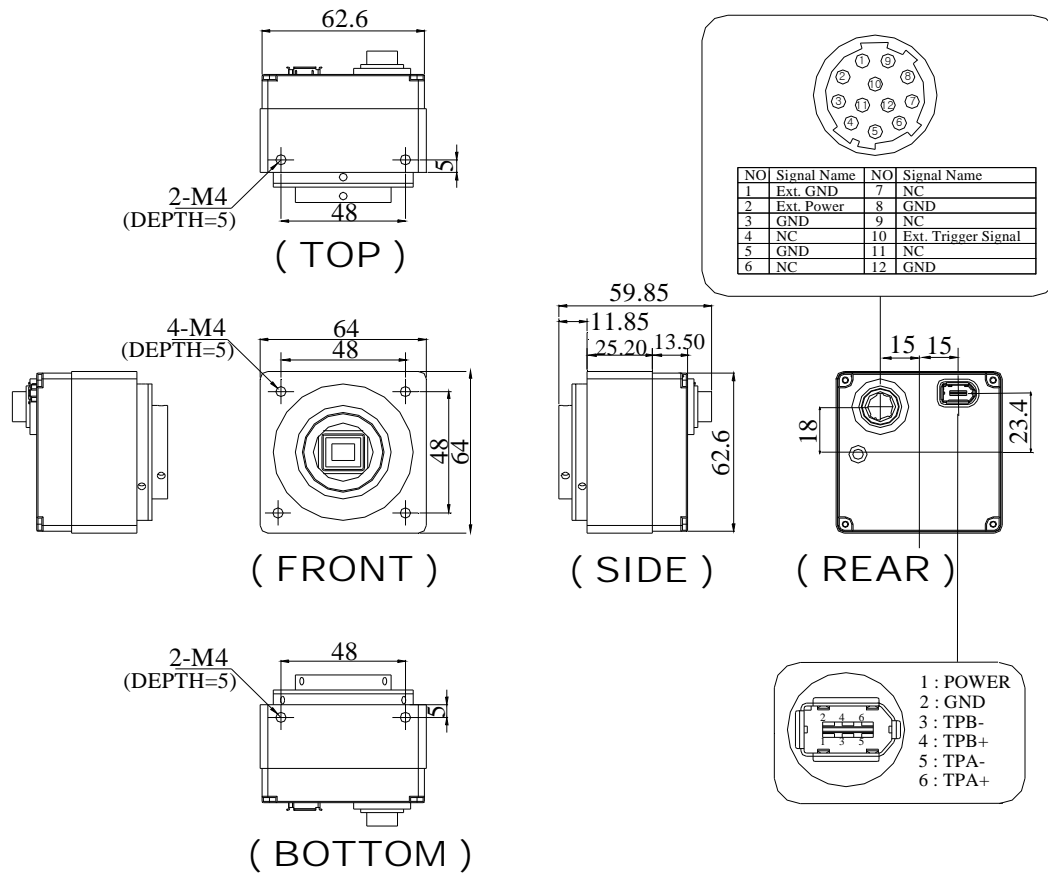
email: sales@unibrain.com

Web: <http://www.unibrain.com>



Unibrain Fire-i 501

Mechanical Specifications (Dimensions in mm)



Specifications

Features	Fire-i 501c (color): 4411	Fire-i 501b (Monochrome): 4412
Image Sensor	1/3" progressive scan CCD Sony ICX-424AQ	1/3" progressive scan CCD Sony ICX-424AL
Effective pixels	330,000 pixels 659 (H) x 494 (V)	
Picture Size	640 x 480, 320 x 240	
Data Path	8 bit or 12 bit color Raw & YUV 4:2:2	8 bit or 12 bit b/w
CELL size	7.40 um x 7.40 um	
Frame rate	86 fps (Format-7 mode 0), 60, 30, 15, 7.5, 3.75	
Synchronization	External Trigger at falling edge or S/W Trigger	
Lens Mount	C-mount	
Digital Interface	1 x 1394a 6pin port / IIDC v1.31 – 8~30V DC from cable	
Transfer Rate	400 Mbps/max	
Gain Control	0 ~ 25 dB	0 ~ 27 dB
Shutter Speed	1 usec ~ 65 sec	
Gamma	0.4 ~ 2.5	
Strobe Output Signal	Active High, normal or trigger mode	
External Trigger	Mode 0, 1, 2, 3, 4, 5, 14	
S/N ratio	56 dB or better	
Power Requirements	240 mA max, @ +12V DC (3.4 W)	
Dimensions / Weight	64 (W) x 64 (H) x 60 (D) mm / 300 gr. approx	
Operation Temperature	-5 °C to + 45 °C	
Regulations	FCC, CE, MIC, RoHS	
Supplied Accessories	Lens cover, Unibrain Fire-i drivers & Fire-i API SDK, 4.5m 1394a cable	

